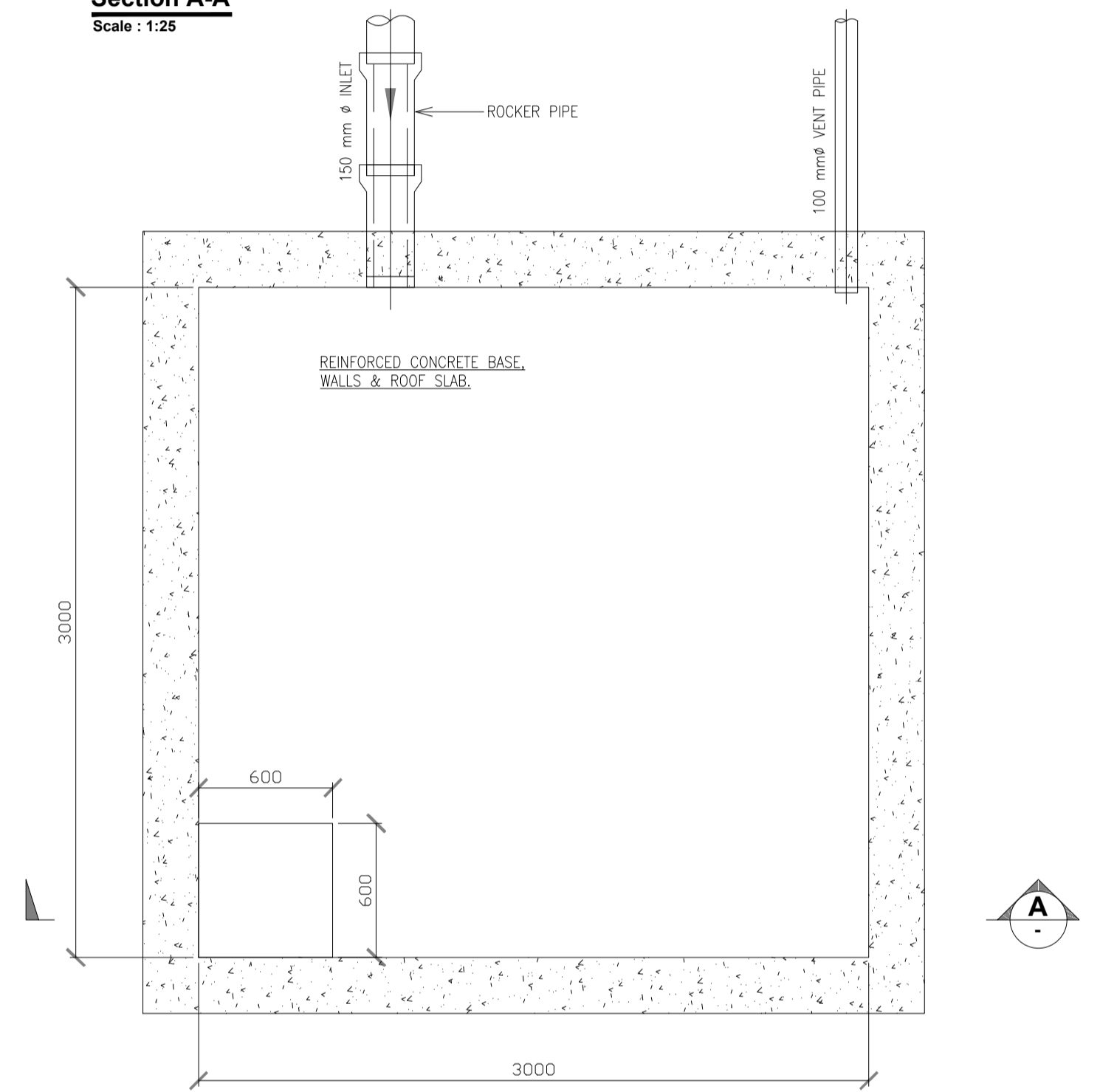
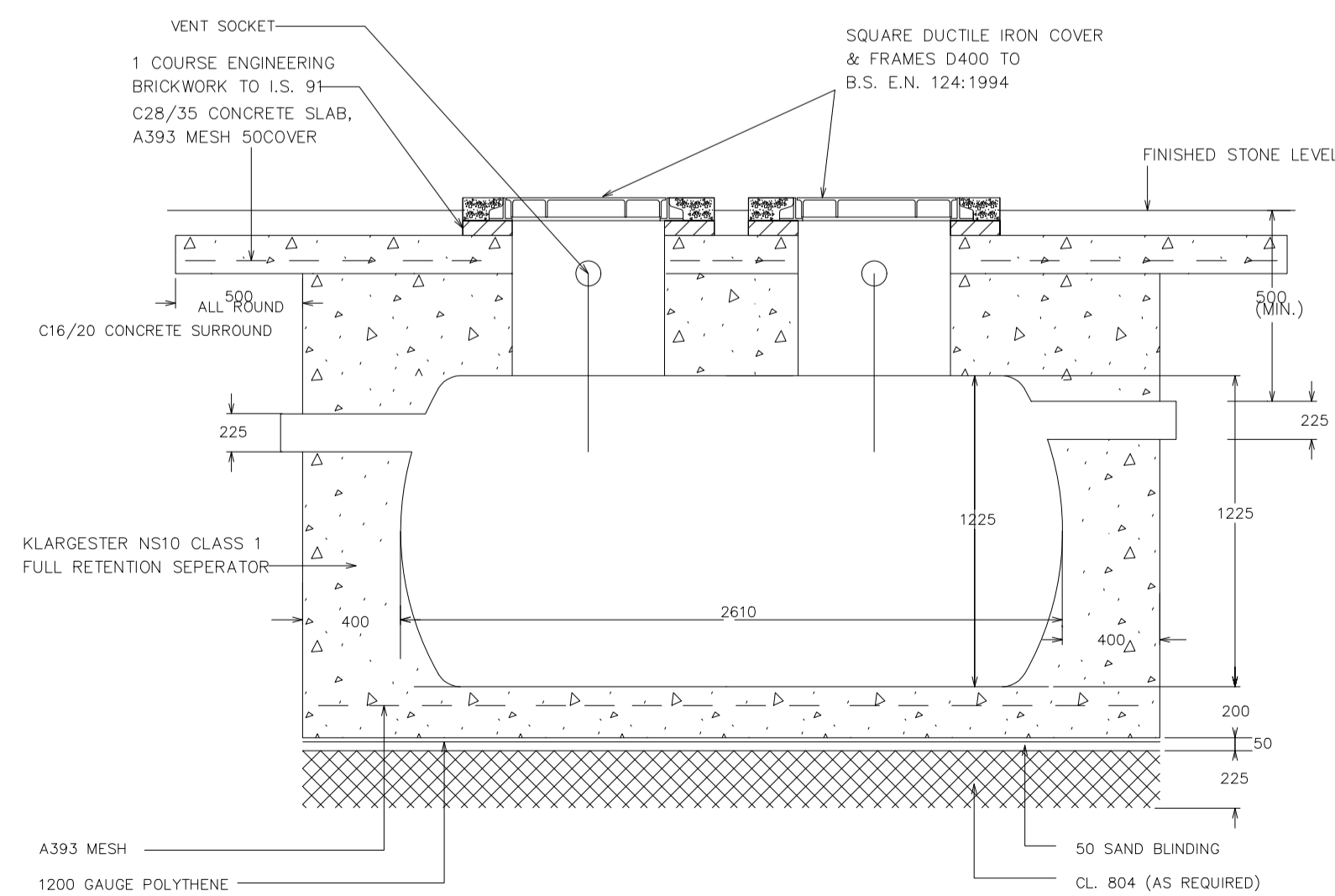


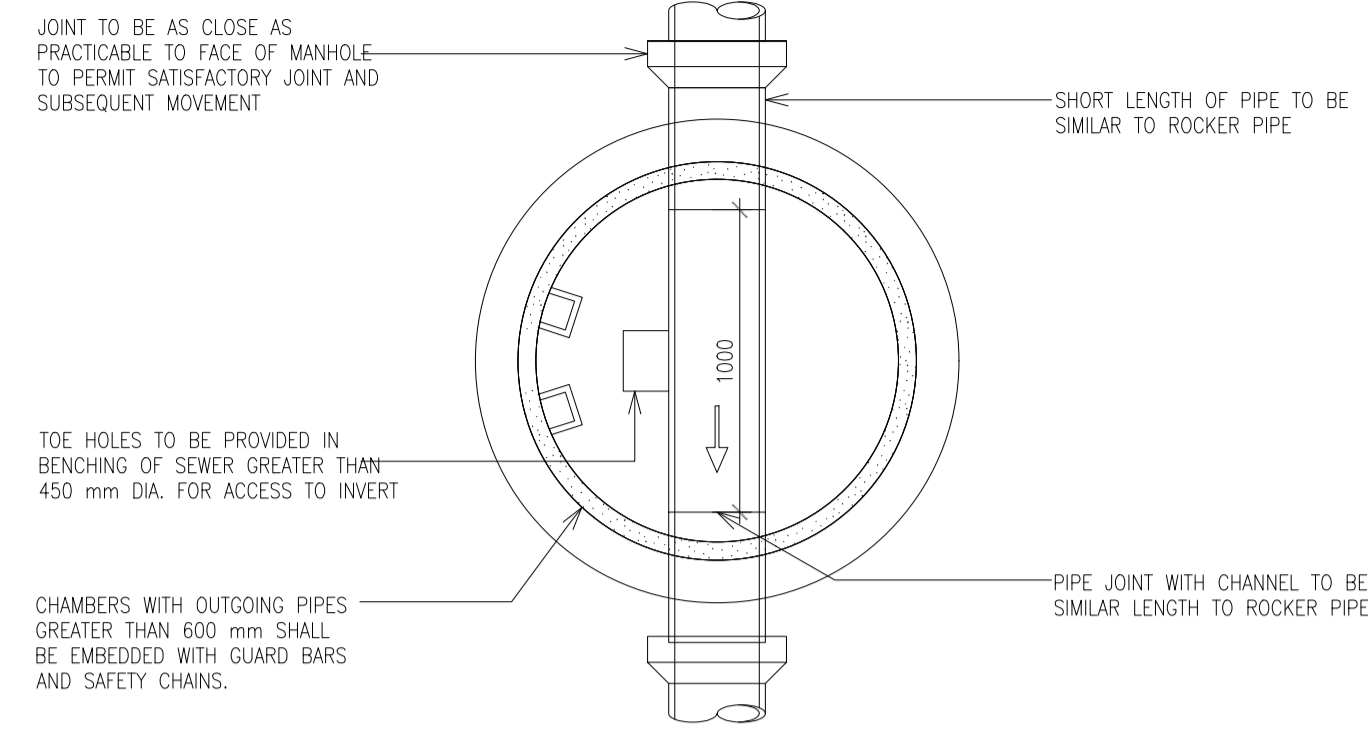
**Section A-A**  
Scale: 1:25



**Plan - Typical Foul Water Holding Tank**  
Scale: 1:25

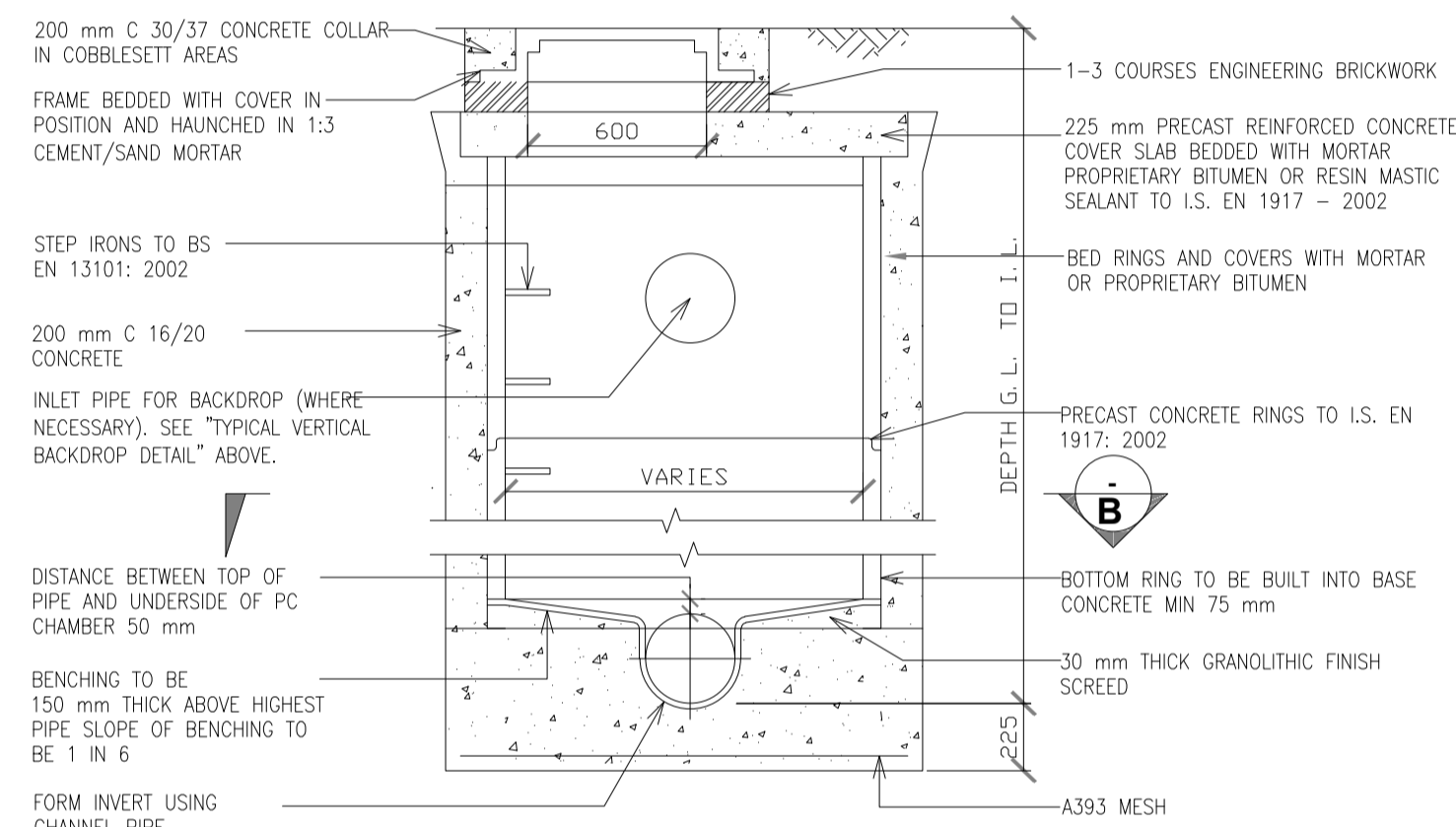


**Section Through Class 1 Full Retention Separator**  
Scale: 1:25

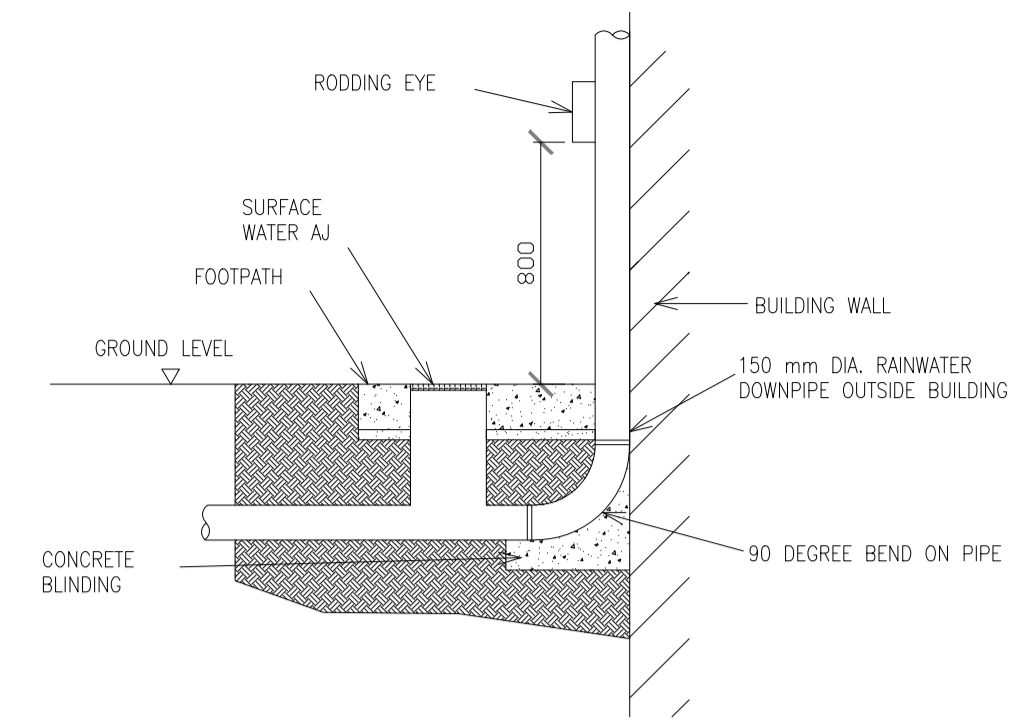


COVER AND FRAME TO BE:  
A) SQUARE DUCTILE IRON WITH 600 mm CLEAR OPENS, CLASS D400 TO I.S. EN 124:1994 BENEATH CARRIAGEWAYS, DRIVEWAYS AND FOOTWAYS.

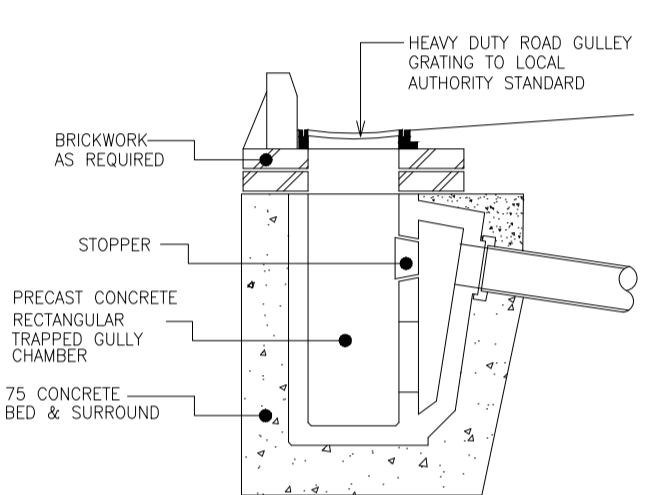
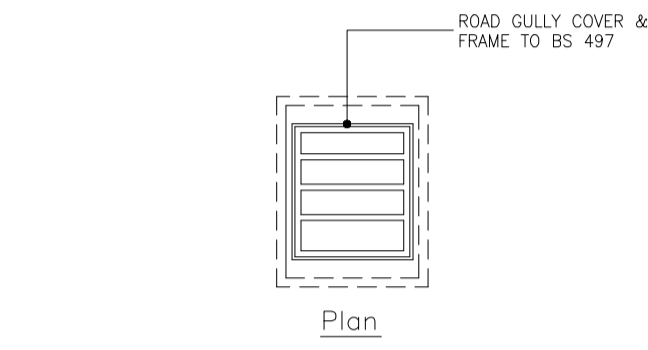
**Section B-B**  
Scale: 1:25



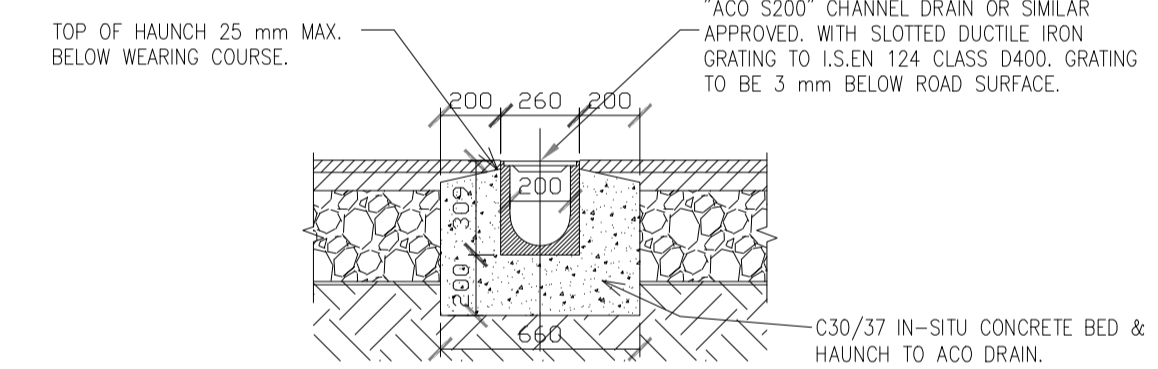
**Typical Precast Ring Manhole**  
Scale: 1:25



**Typical Rainwater Downpipe Detail**  
Scale: 1:25



**Typical Road Gully Detail**  
Scale: 1:25



**Typical Channel Drain**  
Scale: 1:25

**PROJECT**

**Dyrick Hill Wind Farm  
110kV Grid Connection**

**CLIENT**



**CONSULTANTS**

**NOTES: -**

- This drawing is to be read in conjunction with relevant drawings, specifications and reports
- Dimensions are in millimetres, unless noted otherwise
- Drawings are not to be scaled use figured dimensions only

**LEGEND: -**

**ISSUE/REVISION**

NO.	DATE	DESCRIPTION

PO	DATE	DESCRIPTION

**PROJECT NUMBER**

05-829

**SHEET TITLE**

Drainage Details

**SHEET NUMBER**

05829-DR-185