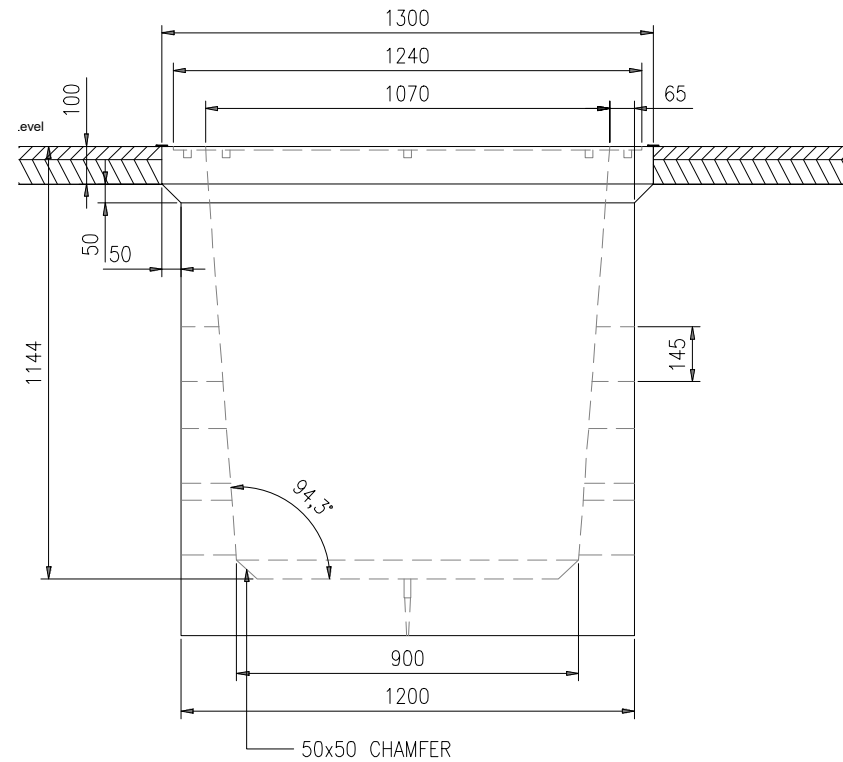
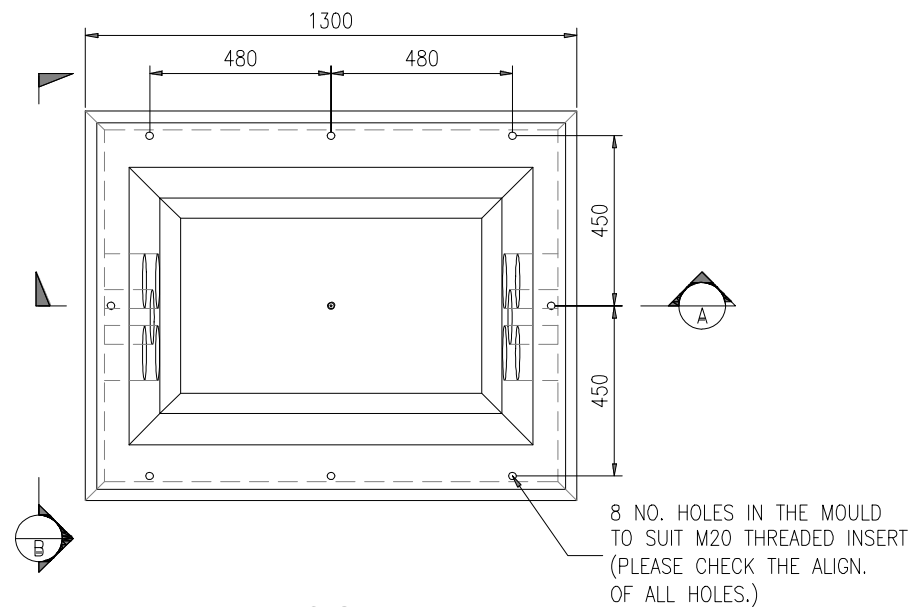


NOTES:

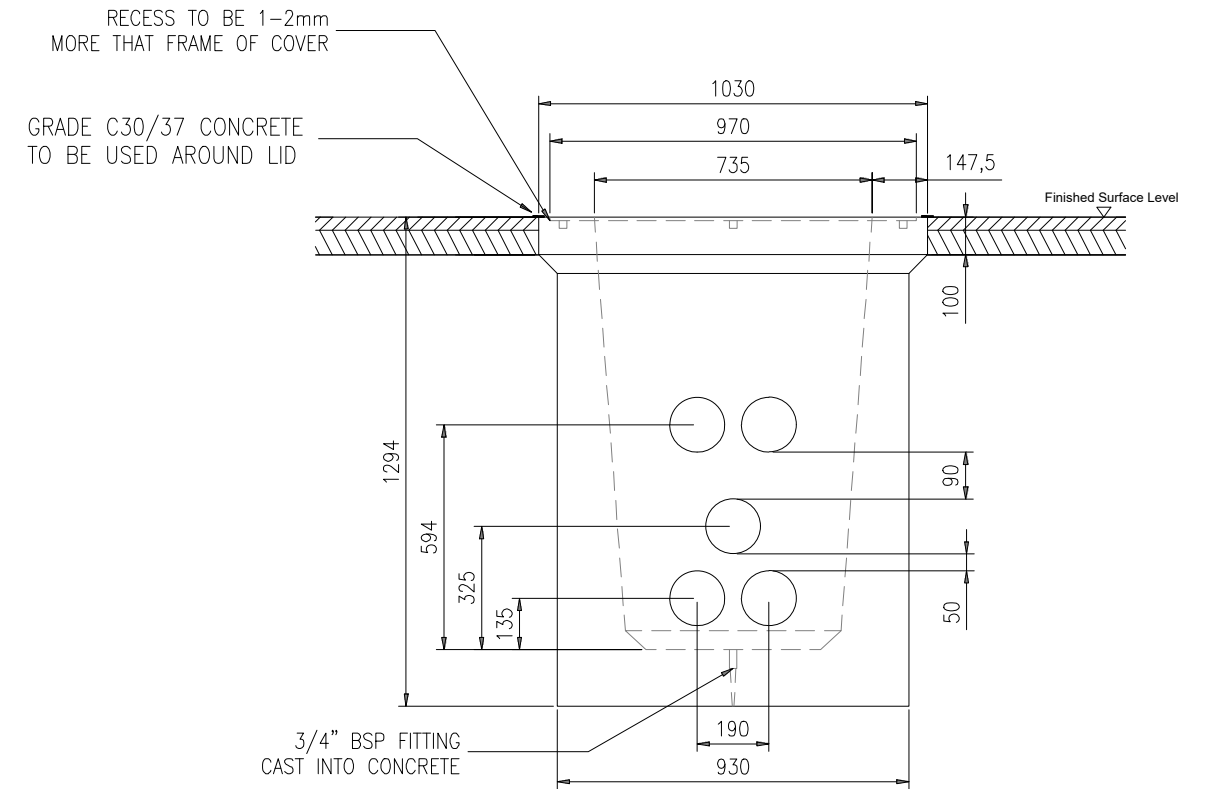
1. This design is subject to EirGrid approval and should be used for planning purposes only.
2. This drawing is to be read in conjunction with relevant drawings, specifications and reports.
3. Dimensions are in millimetres, unless noted otherwise.
4. Drawings are not to be scaled use figured dimensions only.
5. Reinstatement to comply with requirements of the relevant local Authority/landowner.
6. Entrance & Exit ducts to be in line.
7. All material and workmanship to be in accordance with the NRA./TII specification for Roadworks, May 2005 and subsequent revisions.
8. Reinforced concrete to be a minimum grade C32/40, Sulphate resisting cement to be used where aggressive soil conditions apply, refer to table 6.1 of B.S. 8110.
9. Carraigeway covers and frames to be to B.S. 124.
10. All covers to have ESB logo incorporated in them to the approval of EirGrid.
11. Step irons to be hot dipped galvanised to B.S. 729 and positioned as shown on any chamber deeper than 700mm on the end remote from any side entry duct.
12. C2 chambers to be obtained from ESB approved suppliers only.
13. Final position of C2 chambers shall be agreed with EirGrid.
14. In a forest environment backfill with lean mix outside the cover frame.



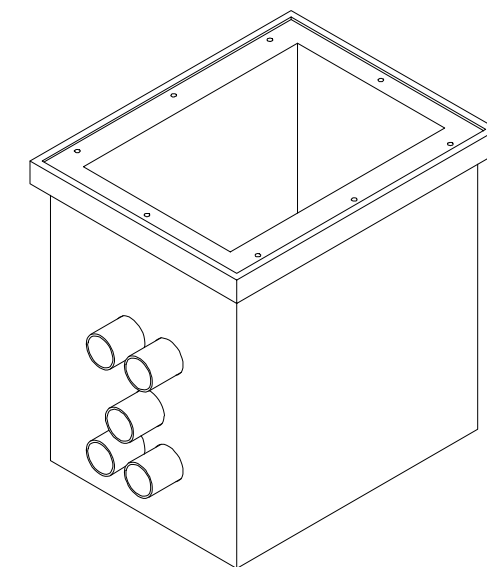
C2 Chamber Detail - Section A
SCALE 1:20



Typical Plan of Chamber
SCALE 1:20



C2 Chamber Detail - Section B
SCALE 1:20



Isometric : C2 Chamber Arrangement
SCALE 1:20



Head Office
Beenreigh,
Abbeydorney,
Tralee, Co. Kerry
Ireland
Tel: 00353 66 7135710

CLIENT



PROJECT

Dyrick Hill WF
110kV Grid Connection

PROJECT NUMBER
05-829

SHEET NUMBER
05829-DR-162

SHEET TITLE

Typical Communications
Chamber Details

DRAWING STATUS
For Planning

ISSUE/REVISION

NO.	DATE	DESCRIPTION
P0	16.09.22	Issued for Planning
I/R	DATE	DESCRIPTION